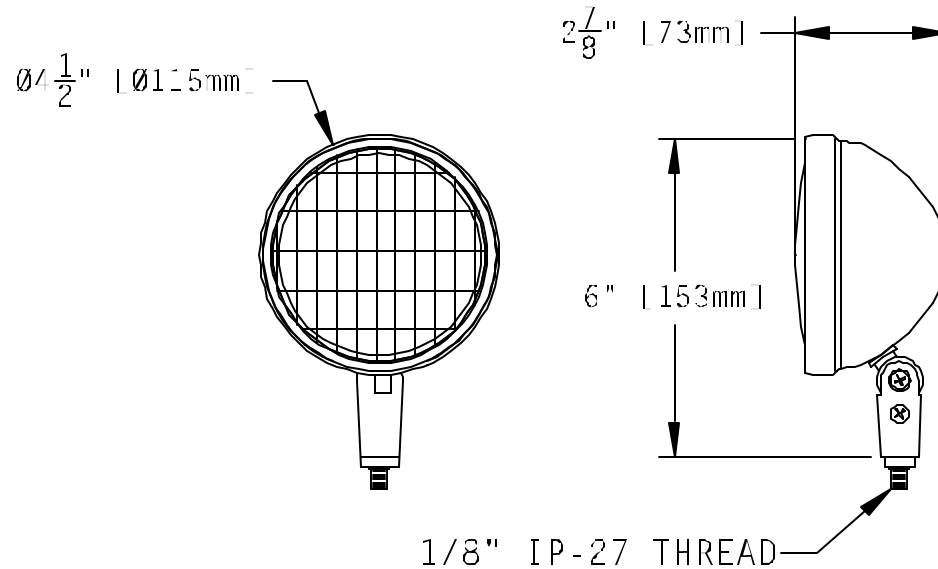




5 Wisconsin Ave.  
Norwich, CT 06360  
Tel. (860) 887-4550  
Fax (860) 887-4534  
www.lamphead.com (Products)  
www.nutron-mfg.com (Company)



## 4500 Series Par 36 Metallic Lamphead



**Housing** - Aluminum w/ Die Cast Swivel

**Colors/Finish** - Clear Anodize, Chrome, Powder coated White & Black (Custom Colors are available, consult factory for details)

**Lamping:**

- Par 36 Sealed Beam
- 6, 12v Wedge Base
- 6,12v Bi Pin Halogen
- Double Contact Bayonet Base
- Up To 50 Watts Depending on Lamp Style

**Metallic Canopy available in various configurations**